

REVISIONS				
SYM	ZONE	ECN, ERN NO.	DATE	APPRD.
C		NEW PART NUMBER	JAN28/08	
D		UPDATED	JUN18/08	
E		UPDATED	JAN25/11	

THIS IS A CAD DRAWING. DO NOT MANUALLY REVISE.

MATERIAL (RoHS COMPLIANCE):

CAGE:
COPPER ALLOY

PLATING OPTION
100µ" [2.54 µm] MIN. NICKEL
PLATING.

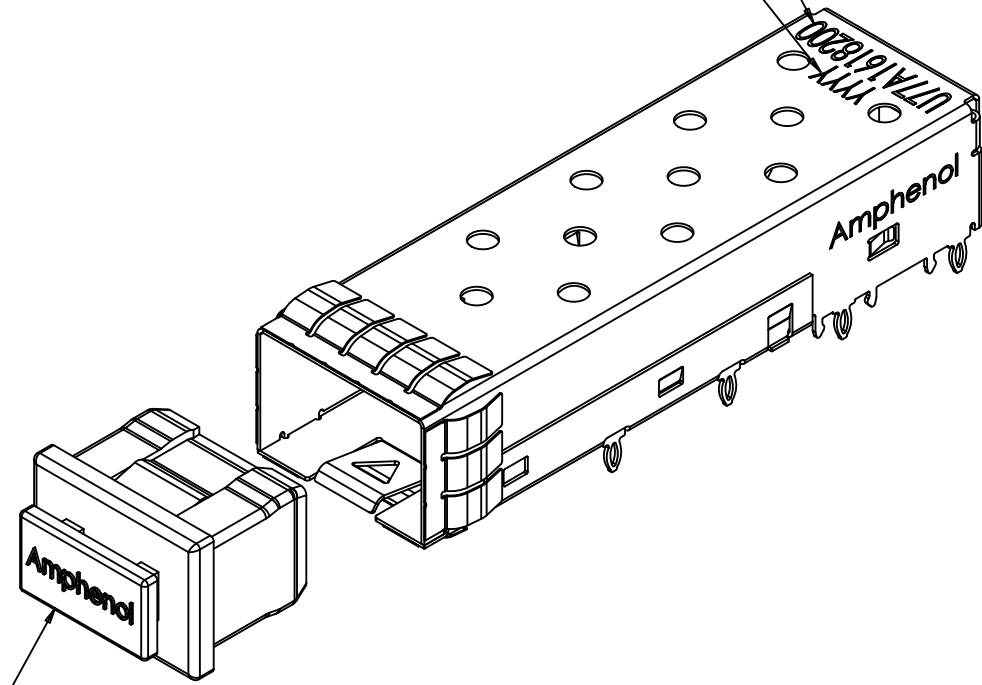
DUST COVER
THERMOPLASTIC, COLOR BLACK.

PACKAGING:
TAPE AND REEL OR TRAY PACKAGING.

TEMPERATURE RANGE:
-40°C TO +85°C

PART NUMBER
(P/N DOES NOT
INCLUDE PACKAGING TYPE
AND DUST COVER OPTION)

DATE CODE



OPTIONAL DUST COVER
(SHIPPED LOOSE)
P/N U77-1140-8020P

AMPHENOL PART NUMBER CONFIGURATION

U77 - A 1 6 1 8 - 2 X 0 X

- PACKAGING
- 1 = TRAY PACKAGING
- T = TAPE & REEL PACKAGING
- OPTIONAL DUST COVER
- 0 = NO DUST COVER
- D = WITH DUST COVER (SHIP LOOSE)



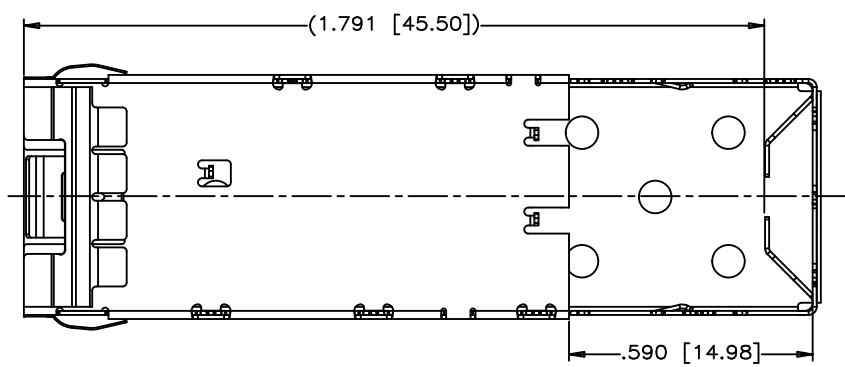
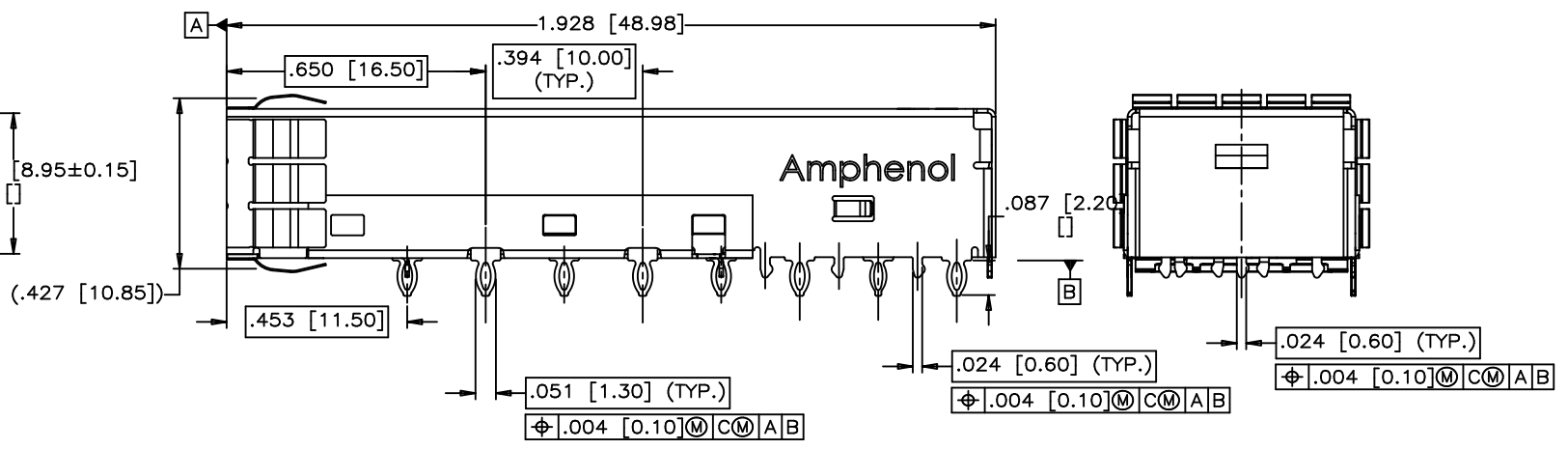
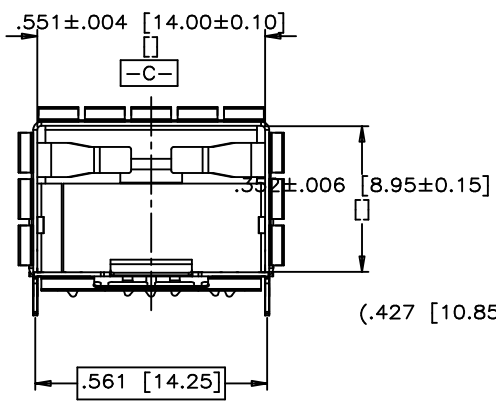
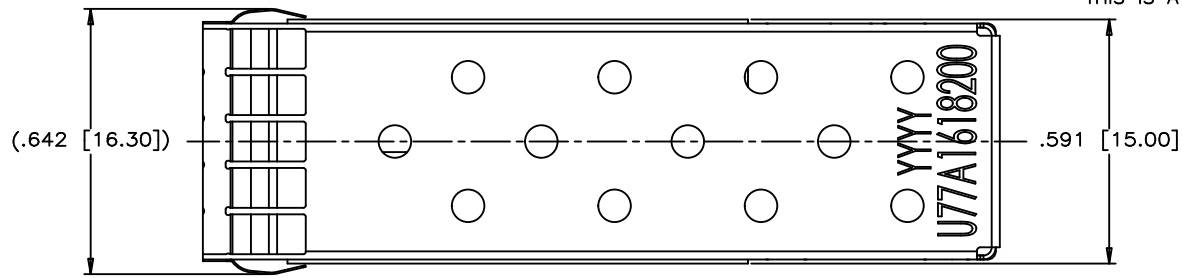
DRAWN	J.SI	DATE	2007/03/30
DESIGNED	J.SI	DATE	2007/03/30
CHECKED	X		
DWG. APPRD.			
ENG. REL. NO.			
REF.	X		
DIMENSIONS ARE IN		CODE ID. NO.	03554
INCHES [mm]			

Amphenol Canada Corp.			
TITLE			
SFP+ 1X1 CAGE WITH 8 PRESS FIT / 12 EMI PINS			
DWG	DRAWING NO.	REV.	
A	P-U77-A1618-2X0X	E	
SCALE	2:1	WT.	
SURF.		SHEET	1 OF 5

THIS DOCUMENT CONTAINS PROPRIETARY INFORMATION AND SUCH INFORMATION MAY NOT BE DISCLOSED TO OTHERS FOR ANY PURPOSE OR USED FOR MANUFACTURING PURPOSES WITHOUT WRITTEN PERMISSION FROM AMPHENOL CANADA CORP.

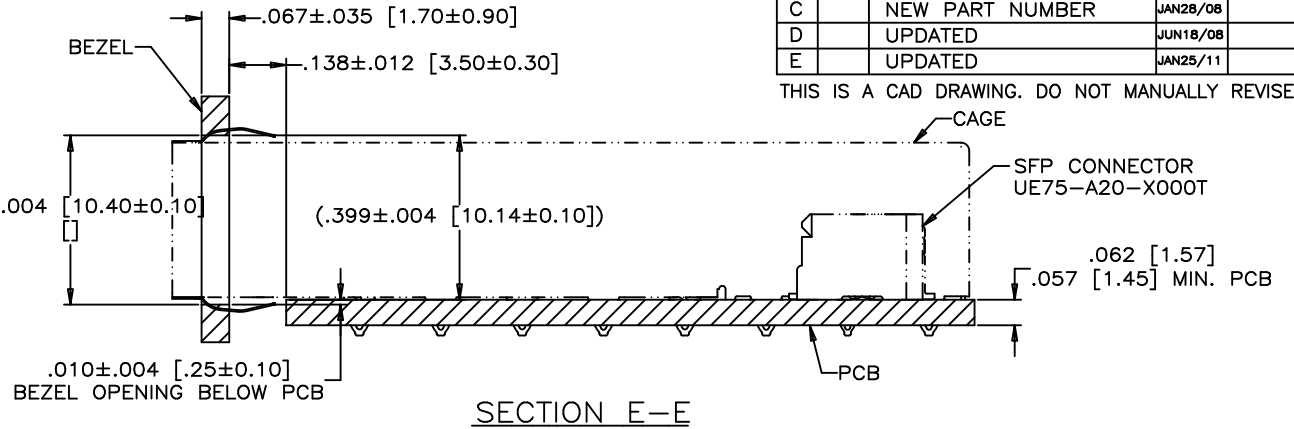
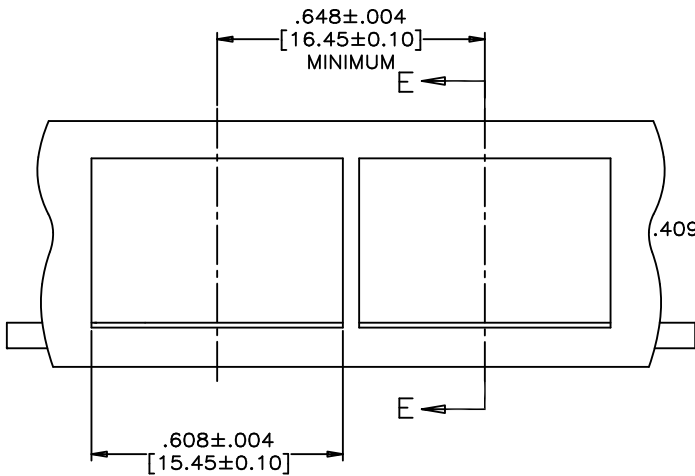
REVISIONS				
SYM	ZONE	ECN, ERN NO.	DATE	APPRD.
C		NEW PART NUMBER	JAN28/08	
D		UPDATED	JUN18/08	
E		UPDATED	JAN25/11	

THIS IS A CAD DRAWING. DO NOT MANUALLY REVISE.

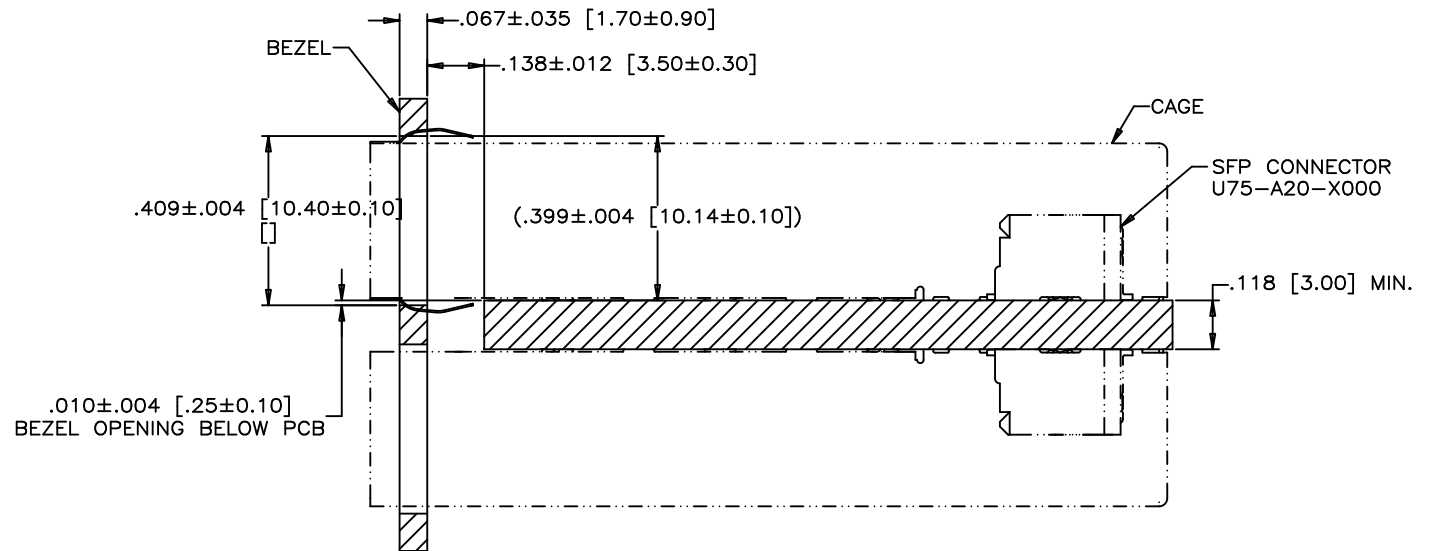
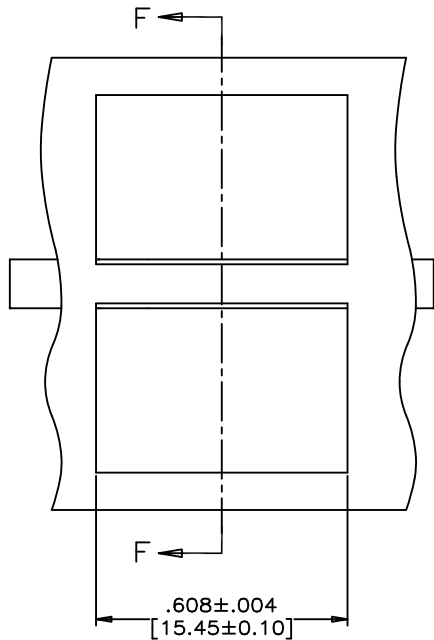


DRAWN	J.SI	DATE	2007/03/30	Amphenol Canada Corp.
DESIGNED	J.SI	DATE	2007/03/30	
CHECKED	X		X	
DWG. APPRD.				TITLE
ENG. REL. NO.				SFP+ 1X1 CAGE WITH 8 PRESS FIT / 12 EMI PINS
REF.	X			DWG
DIMENSIONS ARE IN	INCHES [mm]	CODE ID. NO.	03554	A
		SCALE	2:1	DRAWING NO.
		WT.		P-U77-A1618-2X0X
		SURF.		REV.
				E
				SHEET 2 OF 5

THIS DOCUMENT CONTAINS PROPRIETARY INFORMATION AND SUCH INFORMATION MAY NOT BE DISCLOSED TO OTHERS FOR ANY PURPOSE OR USED FOR MANUFACTURING PURPOSES WITHOUT WRITTEN PERMISSION FROM AMPHENOL CANADA CORP.



RECOMMENDED BEZEL DESIGN
(ONE SIDE CAGE MOUNTING)



RECOMMENDED BEZEL DESIGN
(BELLY TO BELLY CAGE MOUNTING)

REVISIONS				
SYM	ZONE	ECN, ERN NO.	DATE	APPRD.
C		NEW PART NUMBER	JAN28/08	
D		UPDATED	JUN18/08	
E		UPDATED	JAN25/11	

THIS IS A CAD DRAWING. DO NOT MANUALLY REVISE.

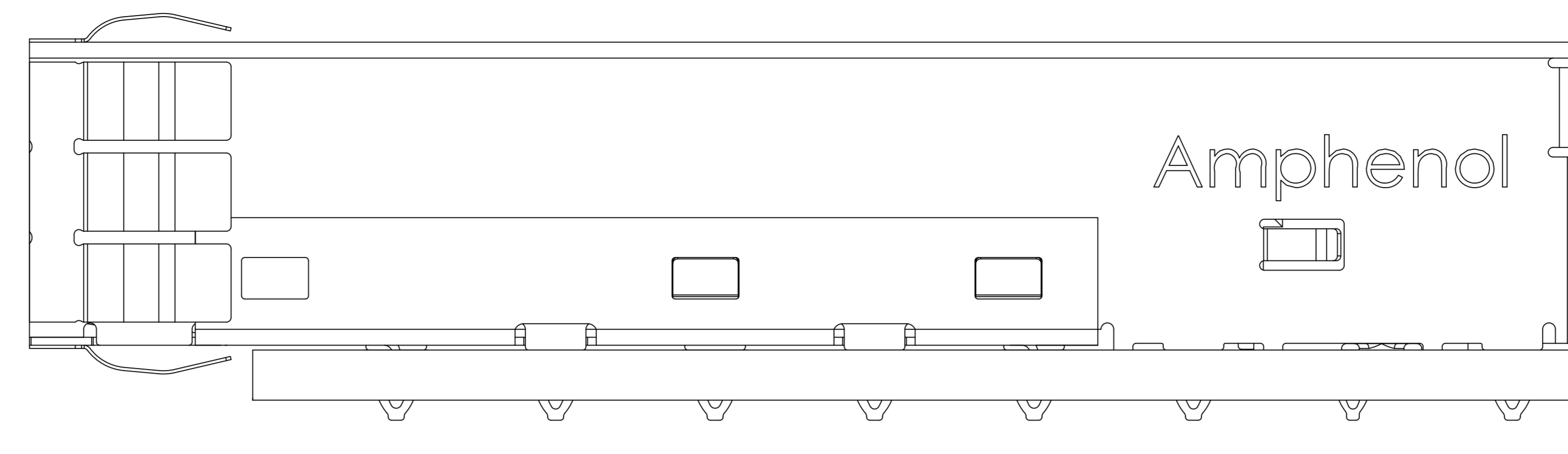
DRAWN	J.SI	DATE	2007/03/30	Amphenol Canada Corp.	
DESIGNED	J.SI	DATE	2007/03/30		
CHECKED	X		X	TITLE	
				SFP+ 1X1 CAGE WITH 8 PRESS FIT / 12 EMI PINS	
DWG. APPRD.				DWG	DRAWING NO.
ENG. REL. NO.				A	P-U77-A1618-2X0X
REF.	X				REV.
DIMENSIONS ARE IN INCHES [mm]		CODE ID. NO.	03554	SCALE	2:1
				WT.	
				SURF.	
					SHEET 3 OF 5

THIS DOCUMENT CONTAINS PROPRIETARY INFORMATION AND SUCH INFORMATION MAY NOT BE DISCLOSED TO OTHERS FOR ANY PURPOSE OR USED FOR MANUFACTURING PURPOSES WITHOUT WRITTEN PERMISSION FROM AMPHENOL CANADA CORP.

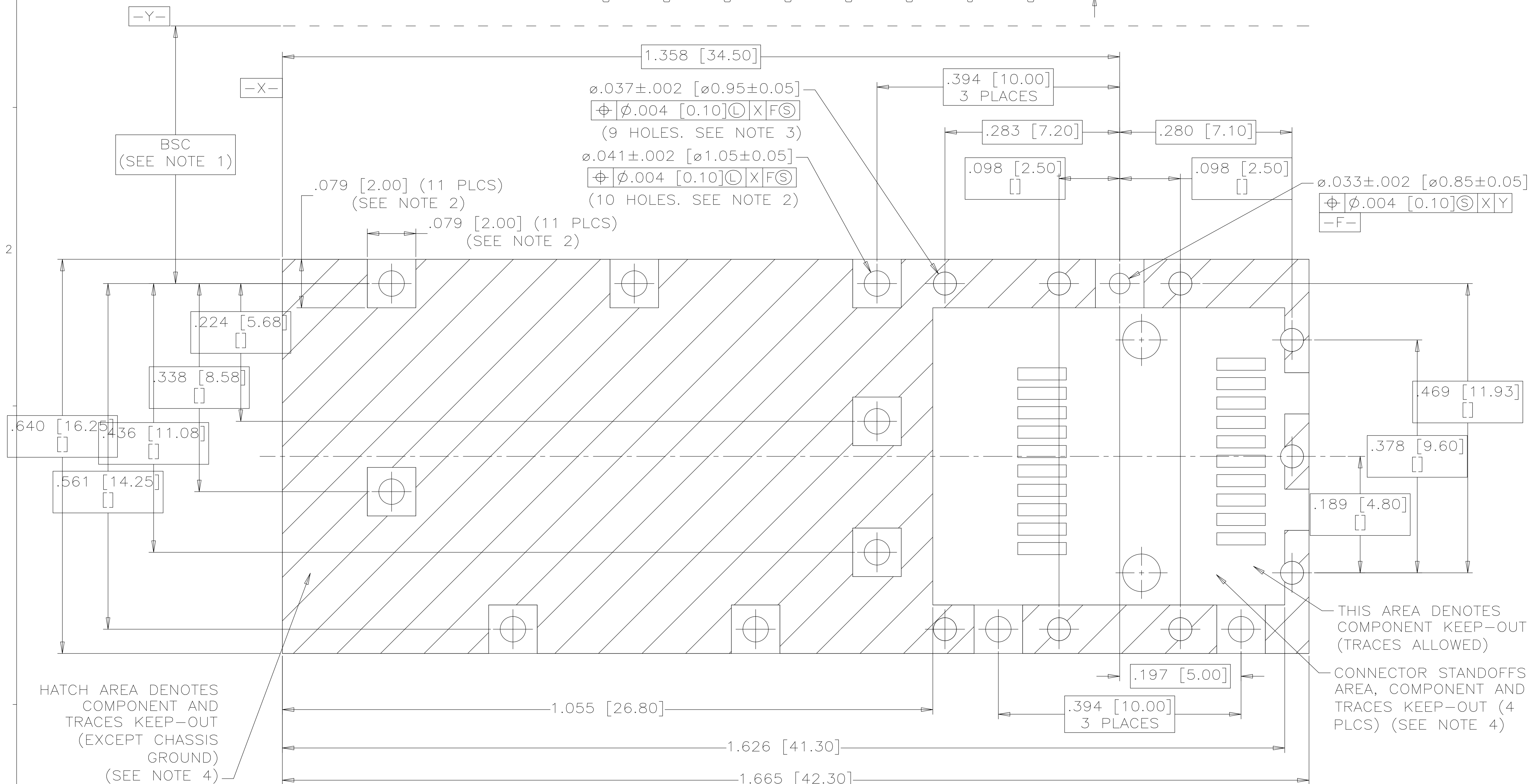
- NOTES:
- DATUM AND BASIC DIMENSIONS ESTABLISHED BY CUSTOMER
 - PADS AND VIAS ARE CHASSIS GROUND, 11 PLACES.
 - THRU HOLES, PLATING OPTIONAL.
 - SEE DRAWINGS P-U75-A20-X000X FOR CONNECTOR PCB LAYOUT.

REVISIONS				
SYM	ZONE	ECN, ERN NO.	DATE	APPRD.
C		NEW PART NUMBER	JAN28/08	
D		UPDATED	JUN18/08	
E		UPDATED	JAN25/11	

THIS IS A CAD DRAWING. DO NOT MANUALLY REVISE.



.062 [1.57]
.057 [1.45] MIN. PCB



RECOMMENDED SFP HOST BOARD LAYOUT
(ONE SIDE CAGE MOUNTING)
(SCALE 4:1)

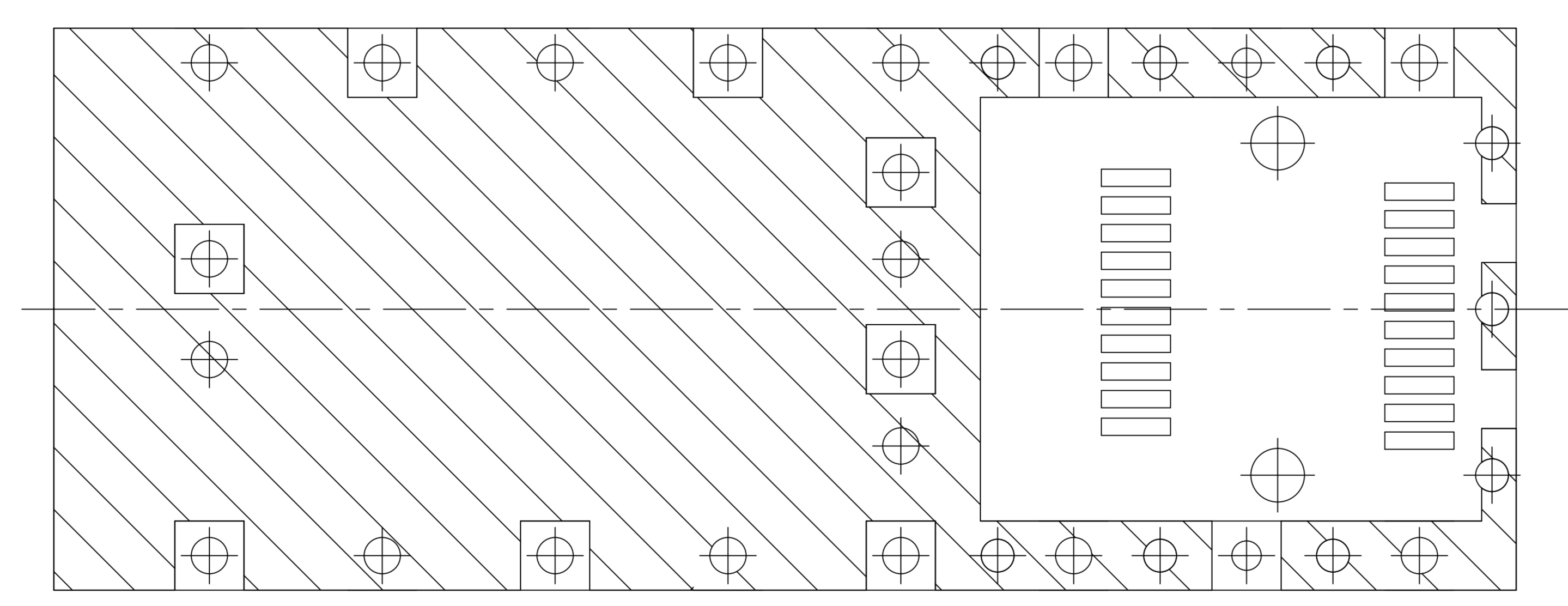
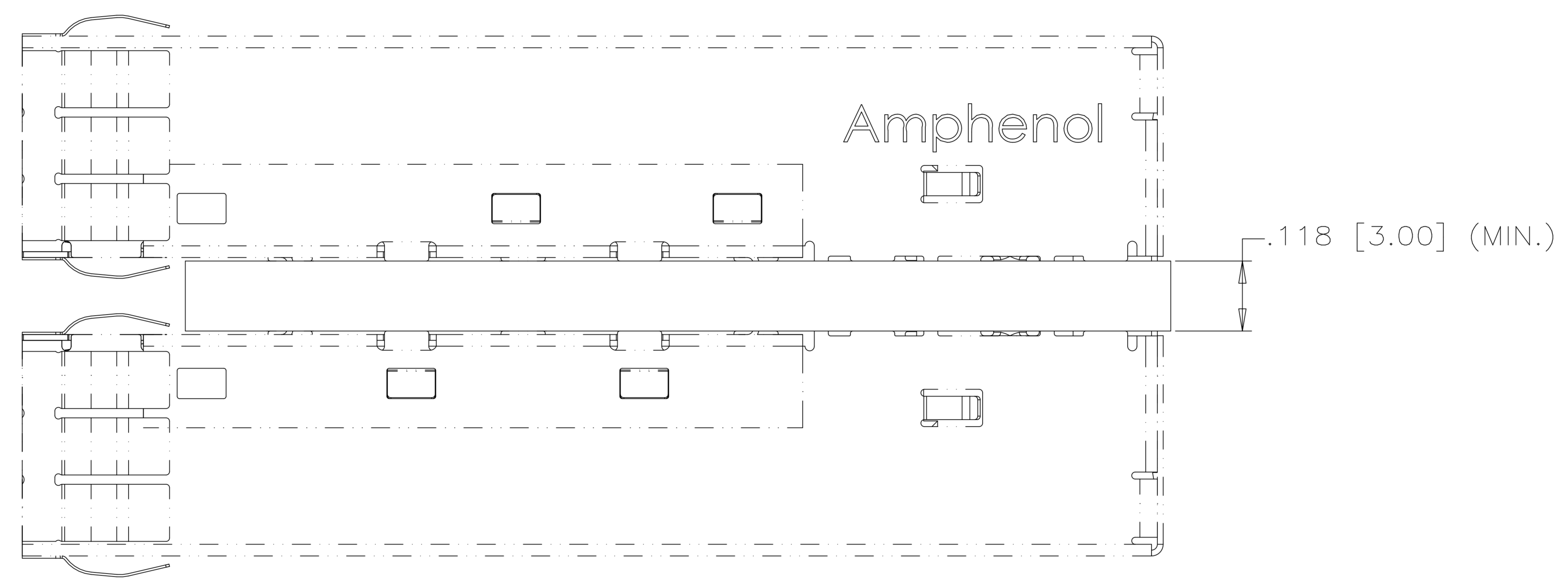
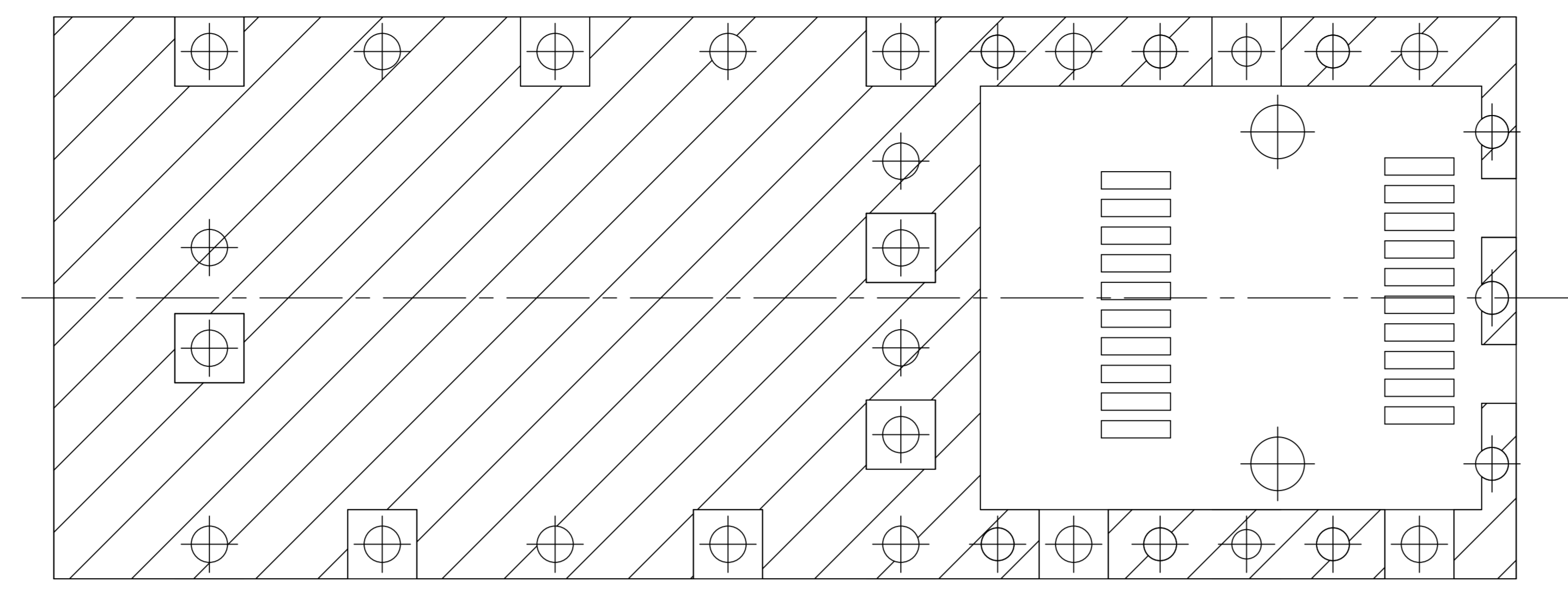
DRAWN	J.SI	DATE	2007/03/30
DESIGNED	J.SI	DATE	2007/03/30
CHECKED	X		
DWG. APPRD.			
ENG. REL. NO.			
REF.	X		
DIMENSIONS ARE IN	CODE ID. NO.		
INCHES [mm]	03554		

Amphenol Canada Corp.		
TITLE		
SFP+ 1X1 CAGE WITH 8 PRESS FIT / 12 EMI PINS		
DWG	DRAWING NO.	REV.
A	P-U77-A1618-2X0X	E
SCALE	WT.	SURF.
2:1		
SHEET 4 OF 5		

THIS DOCUMENT CONTAINS PROPRIETARY INFORMATION AND SUCH INFORMATION MAY NOT BE DISCLOSED TO OTHERS FOR ANY PURPOSE OR USED FOR MANUFACTURING PURPOSES WITHOUT WRITTEN PERMISSION FROM AMPHENOL CANADA CORP.

REVISIONS				
SYM	ZONE	ECN, ERN NO.	DATE	APPRD.
C		NEW PART NUMBER	JAN28/08	
D		UPDATED	JUN18/08	
E		UPDATED	JAN25/11	

THIS IS A CAD DRAWING. DO NOT MANUALLY REVISE.



RECOMMENDED SFP HOST BOARD LAYOUT
(BELLY TO BELLY CAGE MOUNTING)

DRAWN	J.SI	DATE	2007/03/30
DESIGNED	J.SI	DATE	2007/03/30
CHECKED	X		
DWG. APPRD.			
ENG. REL. NO.			
REF.	X		
DIMENSIONS ARE IN	CODE ID. NO.		
INCHES [mm]	03554		

Amphenol Canada Corp.			
TITLE			
SFP+ 1X1 CAGE WITH 8 PRESS FIT / 12 EMI PINS			
DWG	DRAWING NO.	REV.	
A	P-U77-A1618-2X0X	E	
SCALE	2:1	WT.	-----
SURF.	-----	SHEET	5 OF 5

THIS DOCUMENT CONTAINS PROPRIETARY INFORMATION AND SUCH INFORMATION MAY NOT BE DISCLOSED TO OTHERS FOR ANY PURPOSE OR USED FOR MANUFACTURING PURPOSES WITHOUT WRITTEN PERMISSION FROM AMPHENOL CANADA CORP.